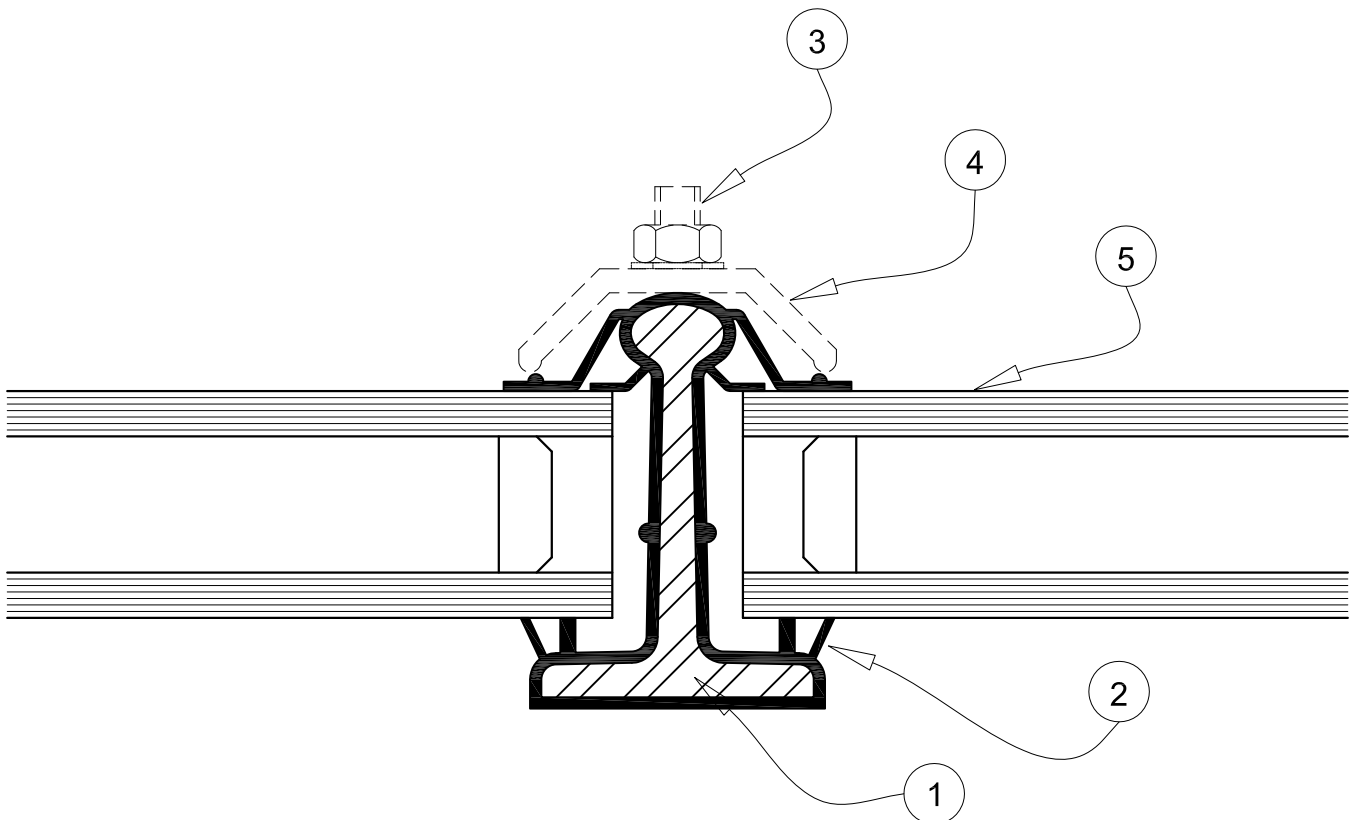


Key :-

1. Galvanized mild steel core inserted into lead cover ~ by SPG Co Ltd
2. Seamless twin-winged lead extrusion, soldered at each end to create a sealed unit ~ by SPG Co Ltd
3. M6 brass stud tapped into mild steel core and soldered to lead cover at 1200mm centres ~ by SPG Co Ltd
4. 25mm wide cast brass or aluminium storm clip assembled to stud with M6 nut and washer ~ by SPG Co Ltd
5. 30mm thick glazed infill ~ by SPG Co Ltd



Heritage Lead Covered Steel Glazing Bar.