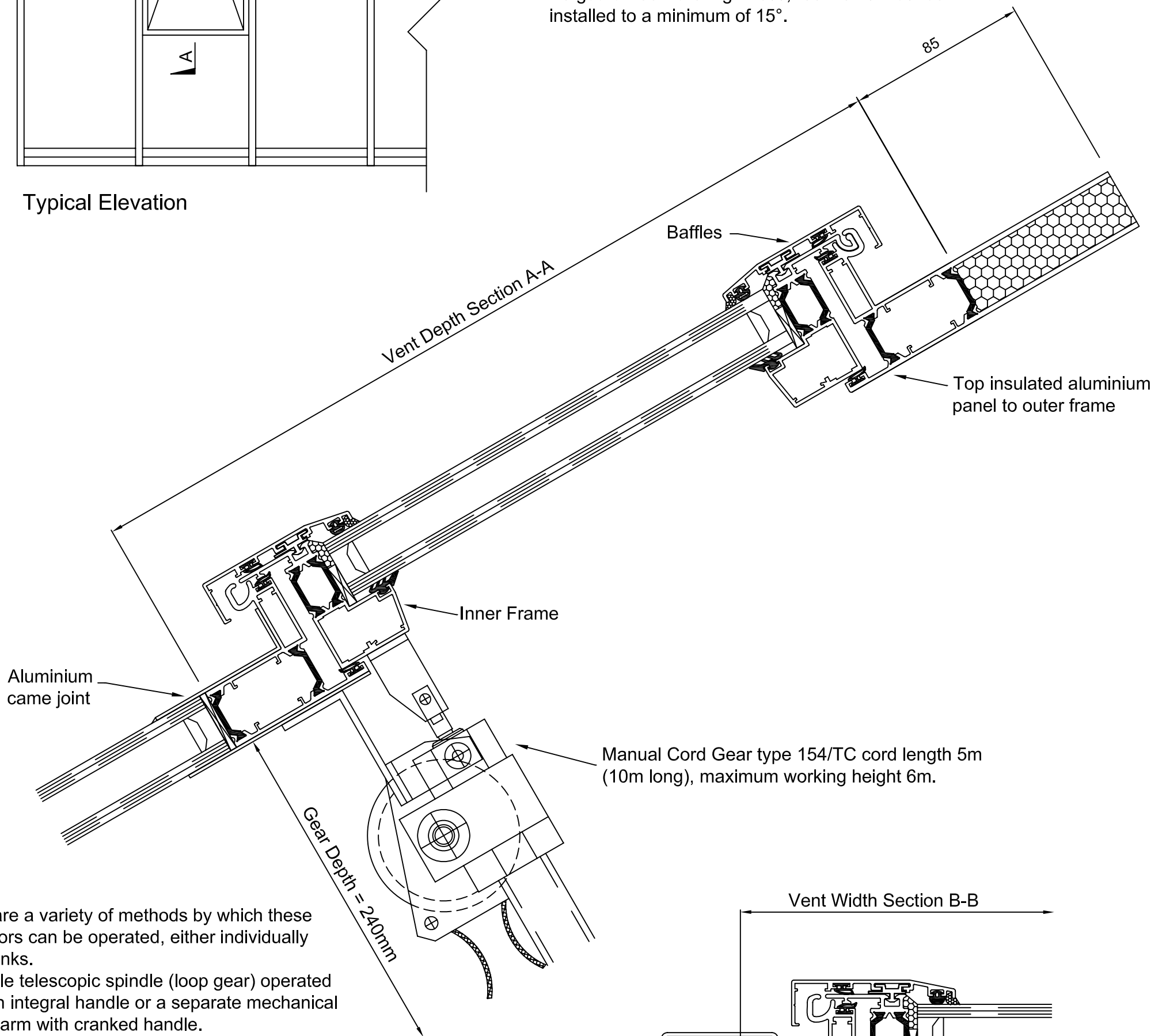


Typical Elevation

The Low Profile Aluminium Framed Thermally Broken Ventilator designed and manufactured by The Standard Patent Glazed Company can be readily incorporated into our double glazed patent glazing systems. They can be hinged to top, bottom or side and finished in Polyester Powder, Anodised or Mill, and glazed with a 28mm thick infill. These ventilators are also suitable for installation into others 28mm thick (and above) patent glazing and curtain walling systems.

To guarantee water tightness, roof vents must be installed to a minimum of 15°.



Aluminium came joint

Vent Depth Section A-A

Baffles

Top insulated aluminium panel to outer frame

Inner Frame

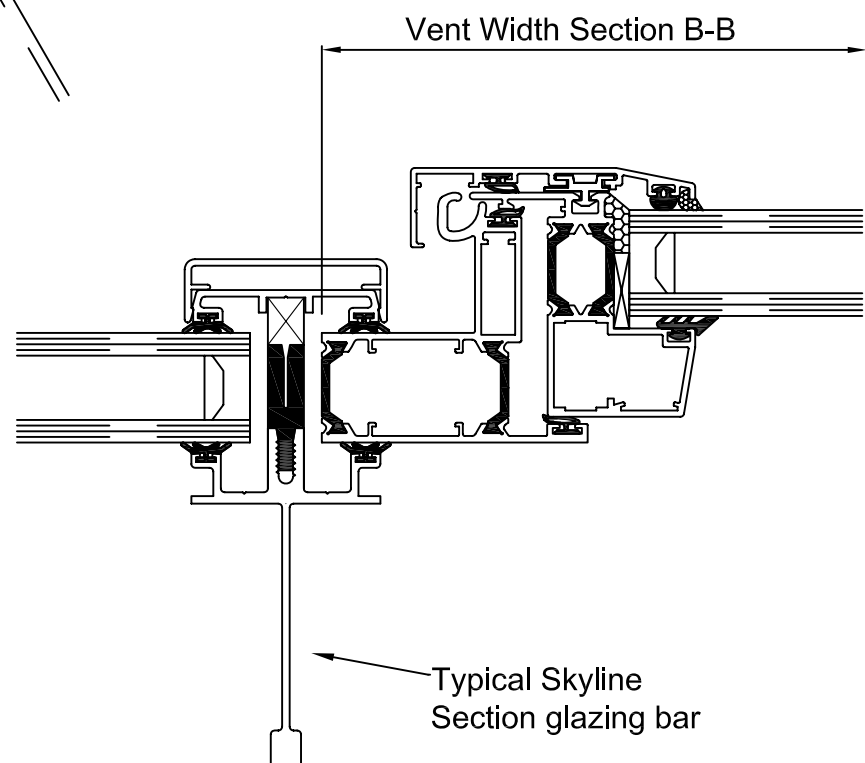
Manual Cord Gear type 154/TC cord length 5m (10m long), maximum working height 6m.

Gear Depth = 240mm

There are a variety of methods by which these ventilators can be operated, either individually or in banks.

- A) Single telescopic spindle (loop gear) operated by an integral handle or a separate mechanical long arm with cranked handle.
- B) Manually operated Teleflex (cable) screwjack gear.
- C) Cord operated screwjack gear (manual).
- D) Electrically operated linear or chain actuators. These can be controlled by a simple open-stop-close system using a wall mounted rocker switch.
- E) A more comprehensive electrical system which incorporates thermostats and rain sensors or
- F) Linked into the buildings Mechanical and Electrical system.

Note All wiring of actuators and control panels cannot be undertaken by The Standard Patent Glazing Co Ltd.



Vent Width Section B-B

Typical Skyline Section glazing bar