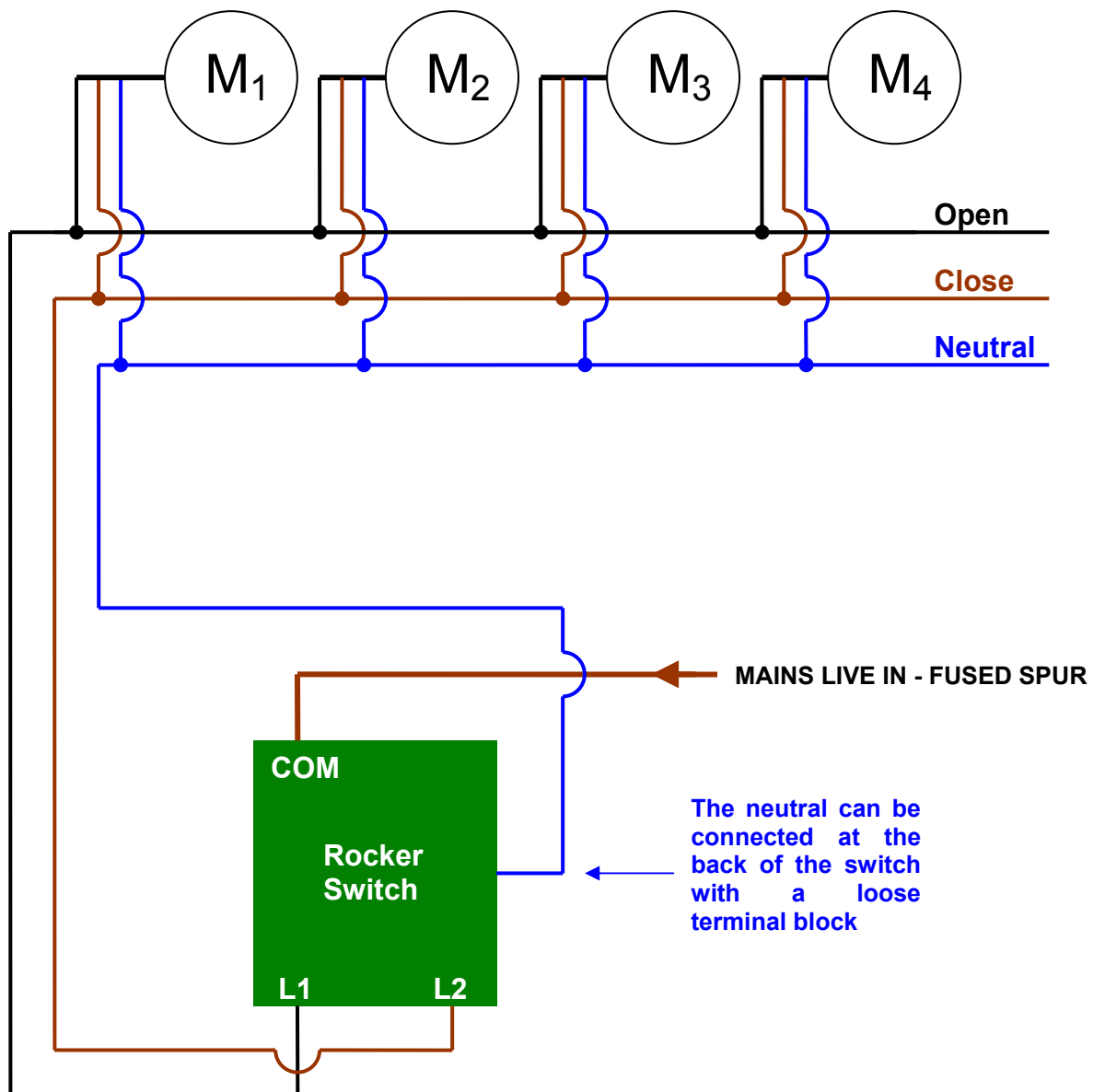


4 No. ACK42 Chain Motors with 1 No. Rocker Switch



AN EARTH CABLE IS NOT REQUIRED AS THE ACK42 MOTORS ARE DOUBLE INSULATED