

THE STANDARD PATENT GLAZING CO. LTD.

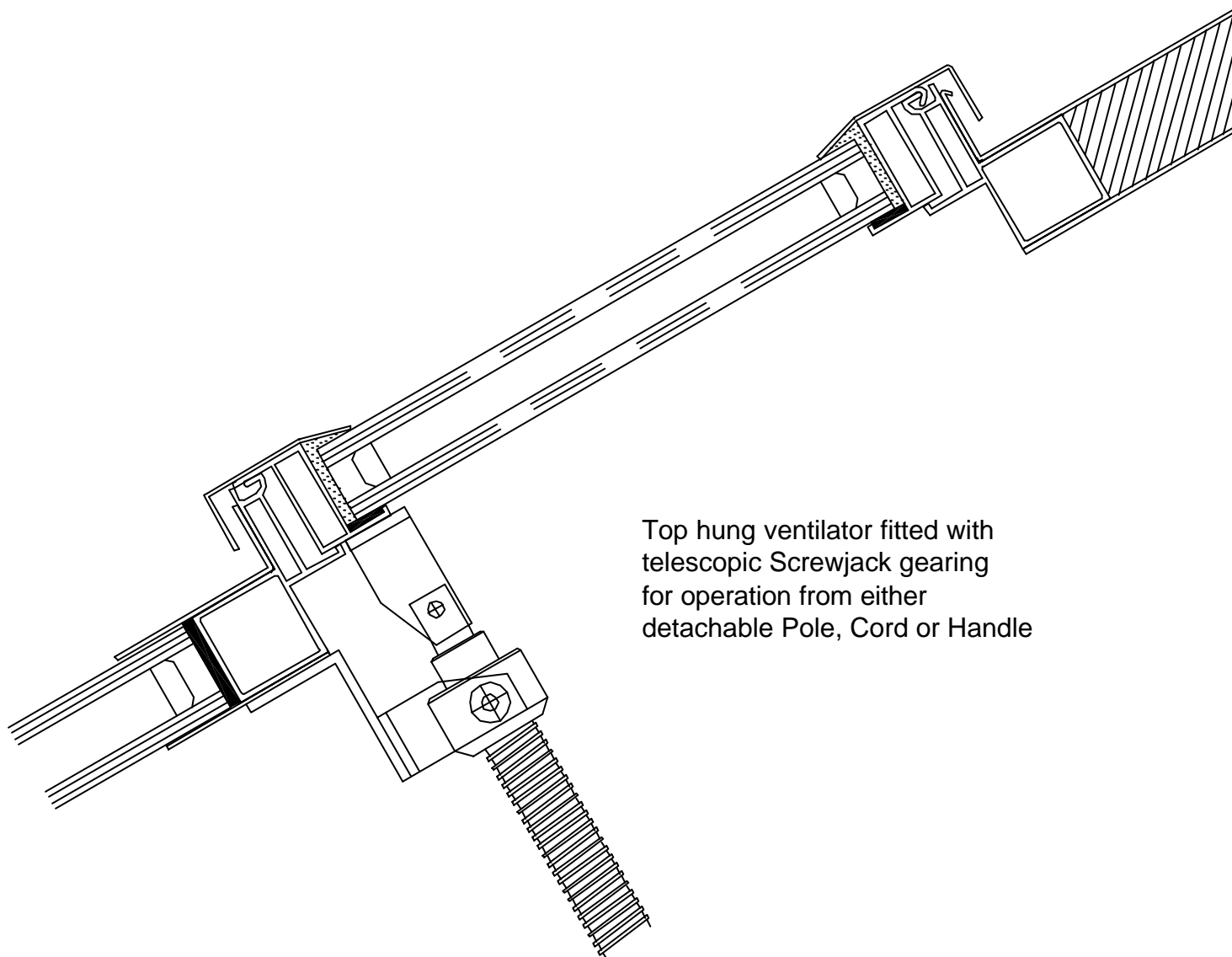
Flagship House, Forge Lane, Dewsbury, West Yorkshire. WF12 9EL

Telephone: 01924 461213

Fax: 01924 458083

PROJECT: TYPICAL DETAILS
TOP HUNG VENTS

SHEET No. V-2020



Top hung ventilator fitted with telescopic Screwjack gearing for operation from either detachable Pole, Cord or Handle

Scale = 1/2 full size