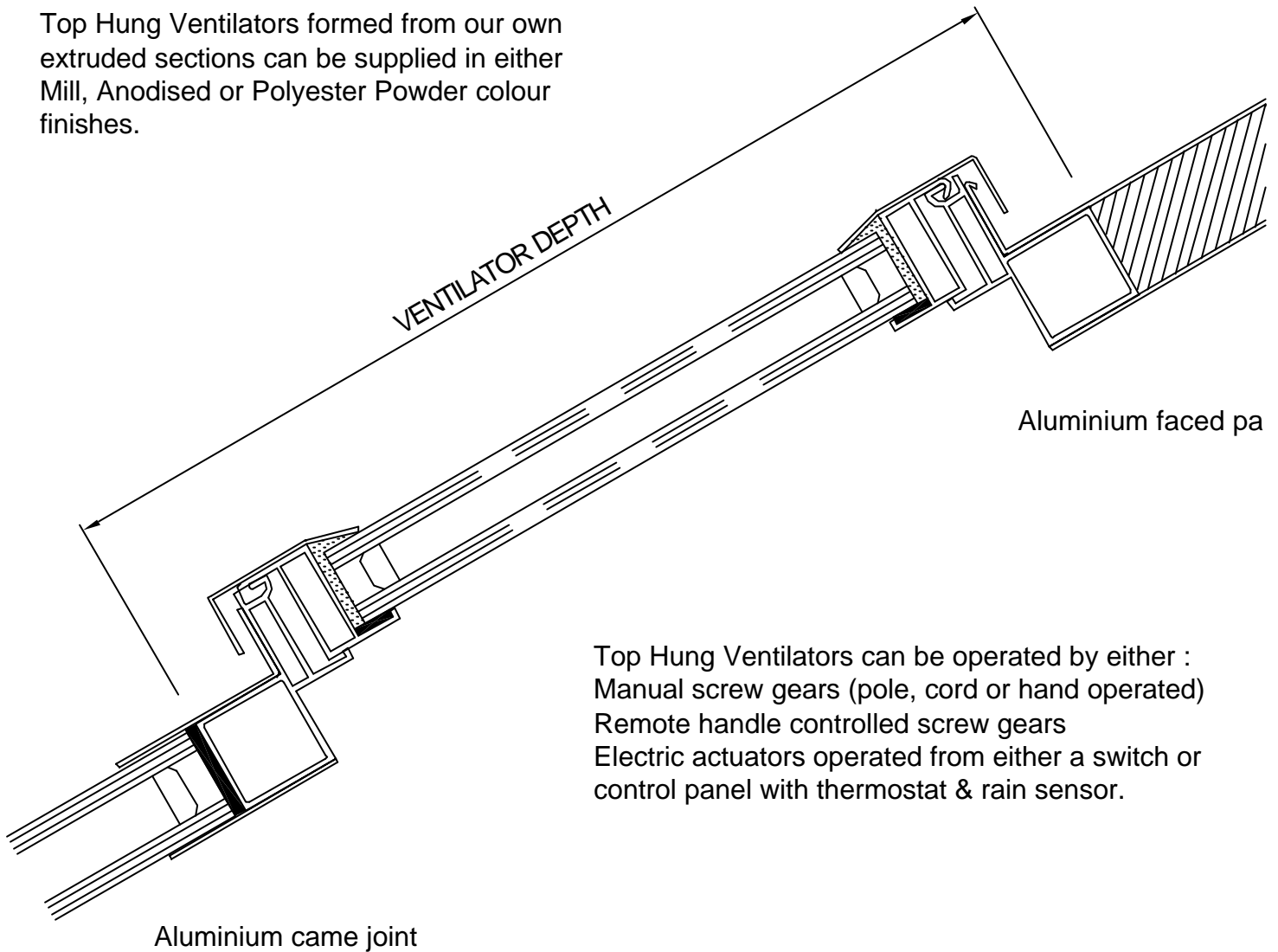
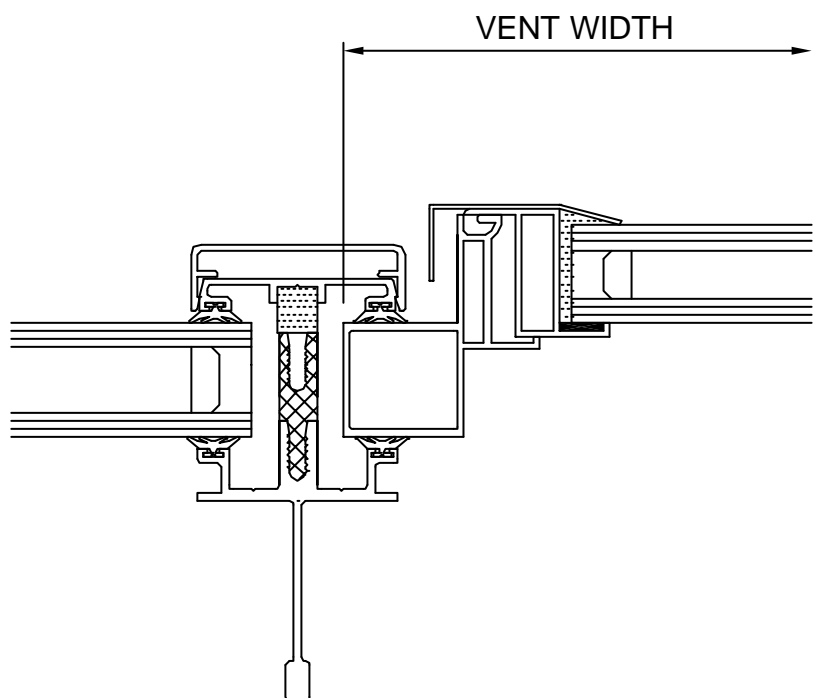


Top Hung Ventilators formed from our own extruded sections can be supplied in either Mill, Anodised or Polyester Powder colour finishes.



Top Hung Ventilators can be operated by either :  
Manual screw gears (pole, cord or hand operated)  
Remote handle controlled screw gears  
Electric actuators operated from either a switch or control panel with thermostat & rain sensor.



Scale = 1/2 full size