

**THE STANDARD PATENT GLAZING CO. LTD.**

Flagship House, Forge Lane, Dewsbury, West Yorkshire. WF12 9EL

Telephone: 01924 461213

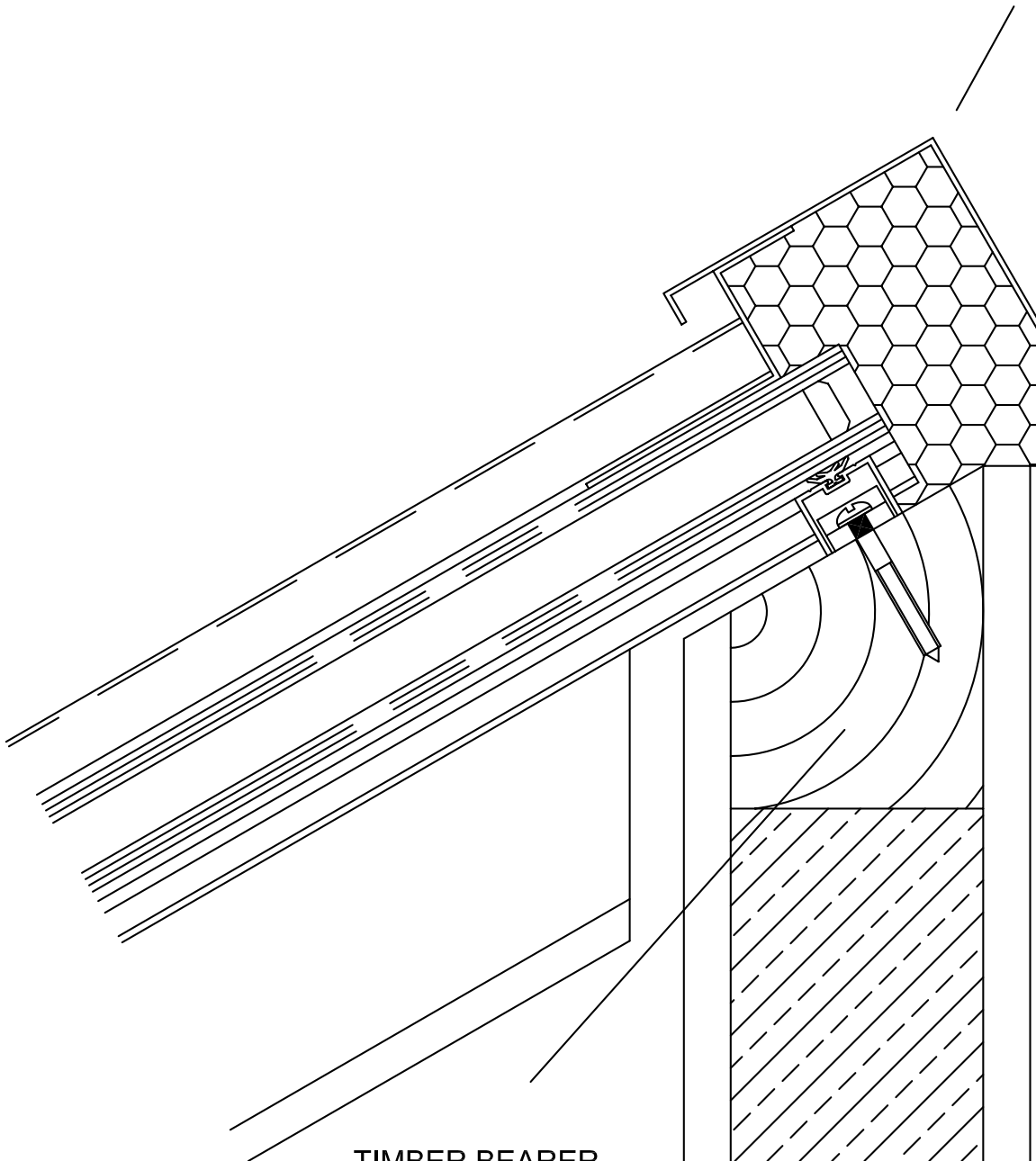
Fax: 01924 458083

PROJECT: TYPICAL DETAILS

HEAD DETAILS

SHEET No. S-2055

16 SWG ALUMINIUM  
INSULATED HEAD FLASHINGS



TIMBER BEARER  
NOT BY SPG Co Ltd