

THE STANDARD PATENT GLAZING CO. LTD.

Flagship House, Forge Lane, Dewsbury, West Yorkshire. WF12 9EL

Telephone: 01924 461213

Fax: 01924 458083

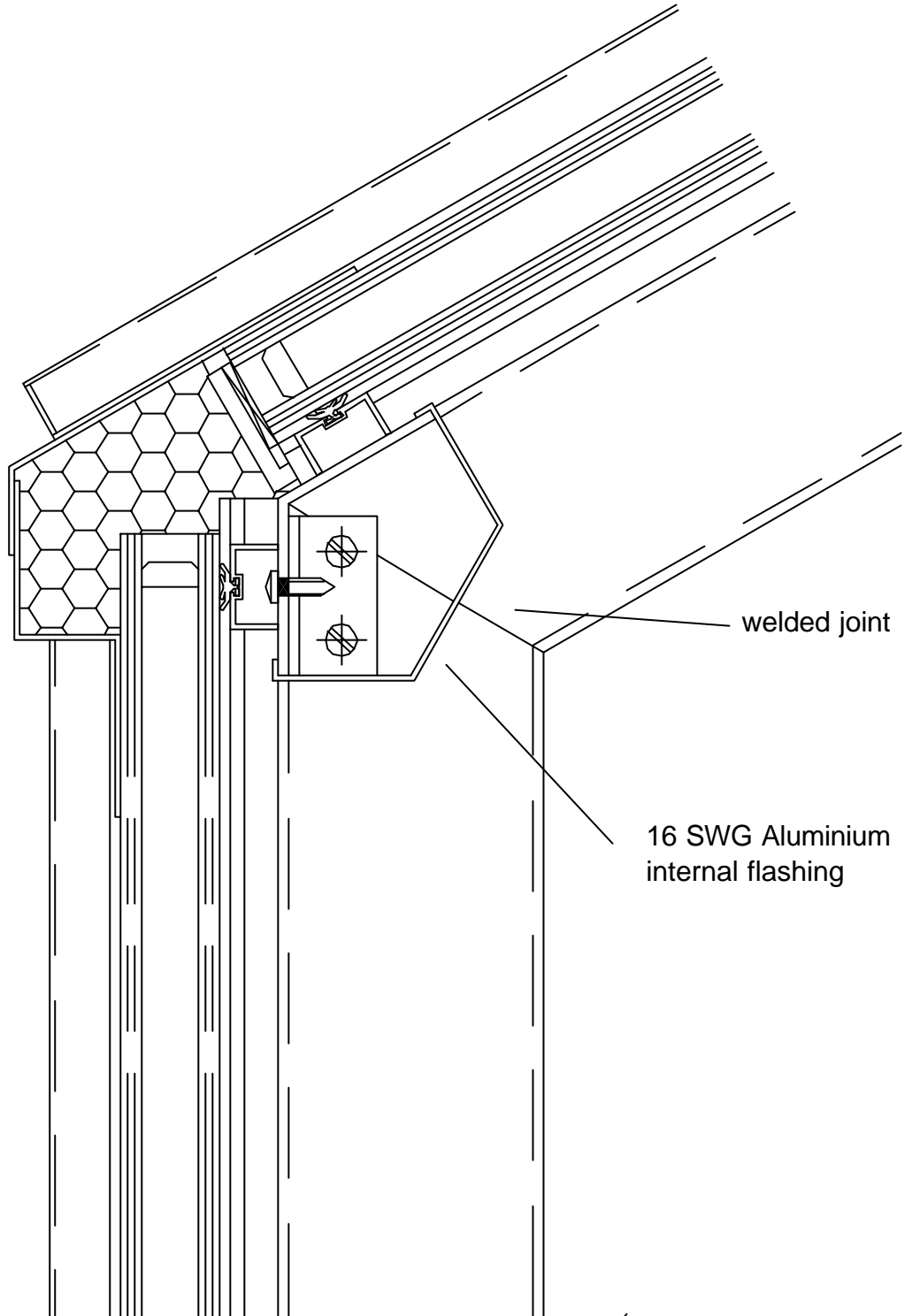
PROJECT: Typical details

eaves detail

SHEET No.

B-3060

16 SWG Aluminium
insulated eaves flashing



welded joint

16 SWG Aluminium
internal flashing