

THE STANDARD PATENT GLAZING CO. LTD.

Flagship House, Forge Lane, Dewsbury, West Yorkshire. WF12 9EL

Telephone: 01924 461213

Fax: 01924 458083

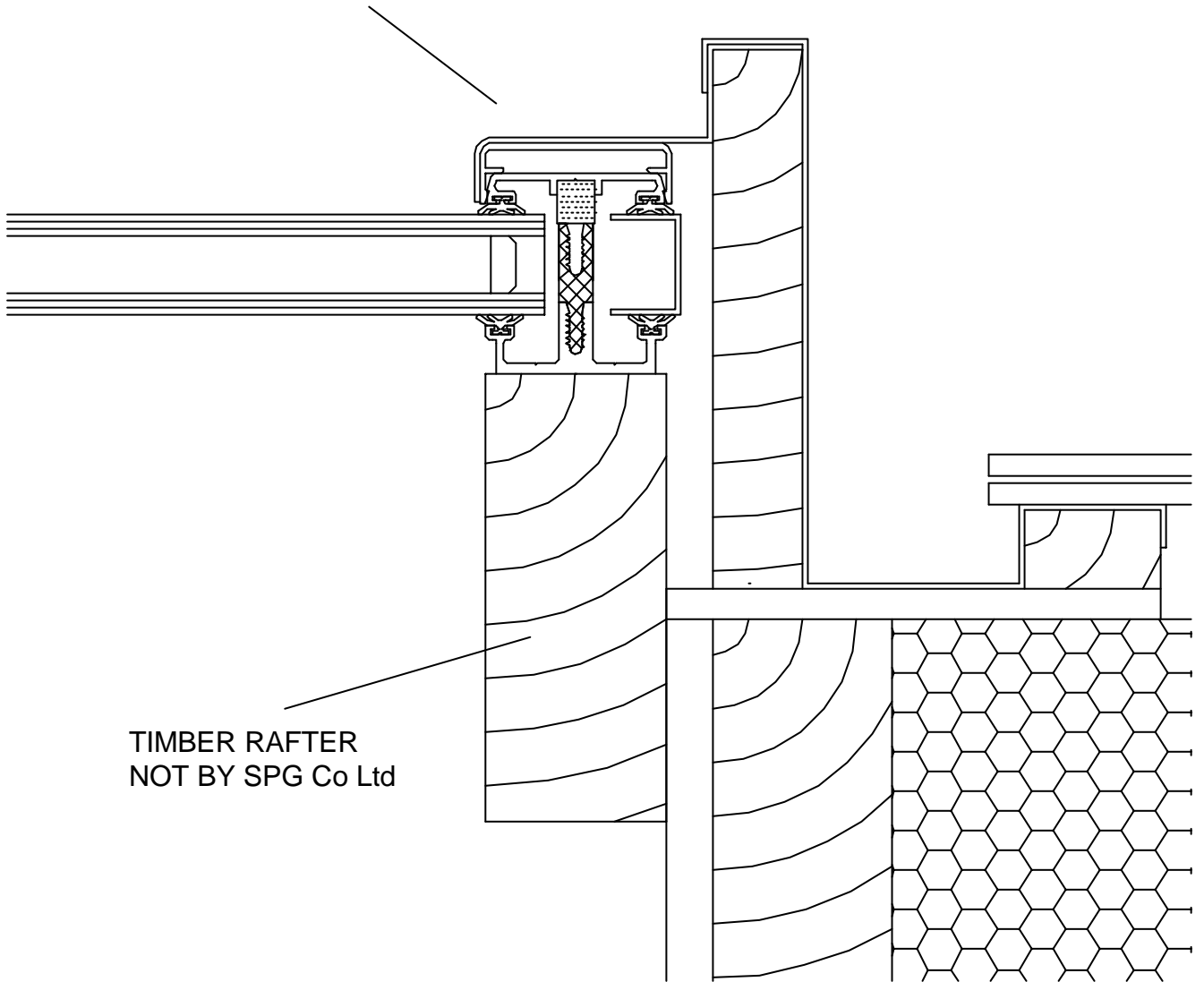
PROJECT: TYPICAL DETAILS

VERGE DETAILS

SHEET No.

R-5030

DRESS ONLY LEAD FLASHING
SUPPLIED & FIXED BY OTHERS



TIMBER RAFTER
NOT BY SPG Co Ltd