

THE STANDARD PATENT GLAZING CO. LTD.

Flagship House, Forge Lane, Dewsbury, West Yorkshire. WF12 9EL

Telephone: 01924 461213

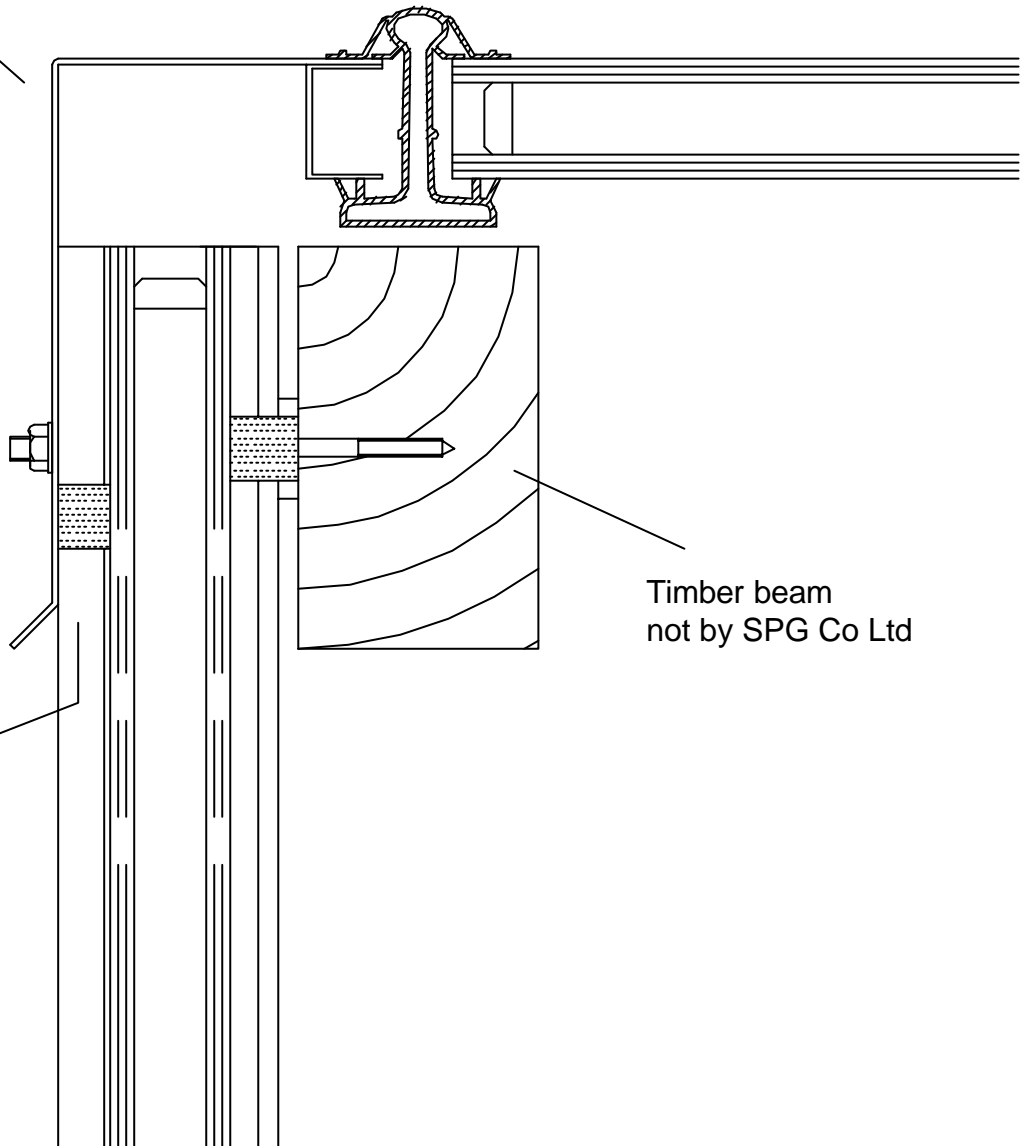
Fax: 01924 458083

PROJECT: Typical details

Vertical details

SHEET No. H-2080

16 SWG Aluminium  
verge flashing



Timber beam  
not by SPG Co Ltd

RA24 EPDM foam  
weather seal