

THE STANDARD PATENT GLAZING CO. LTD.

Flagship House, Forge Lane, Dewsbury, West Yorkshire. WF12 9EL

Telephone: 01924 461213

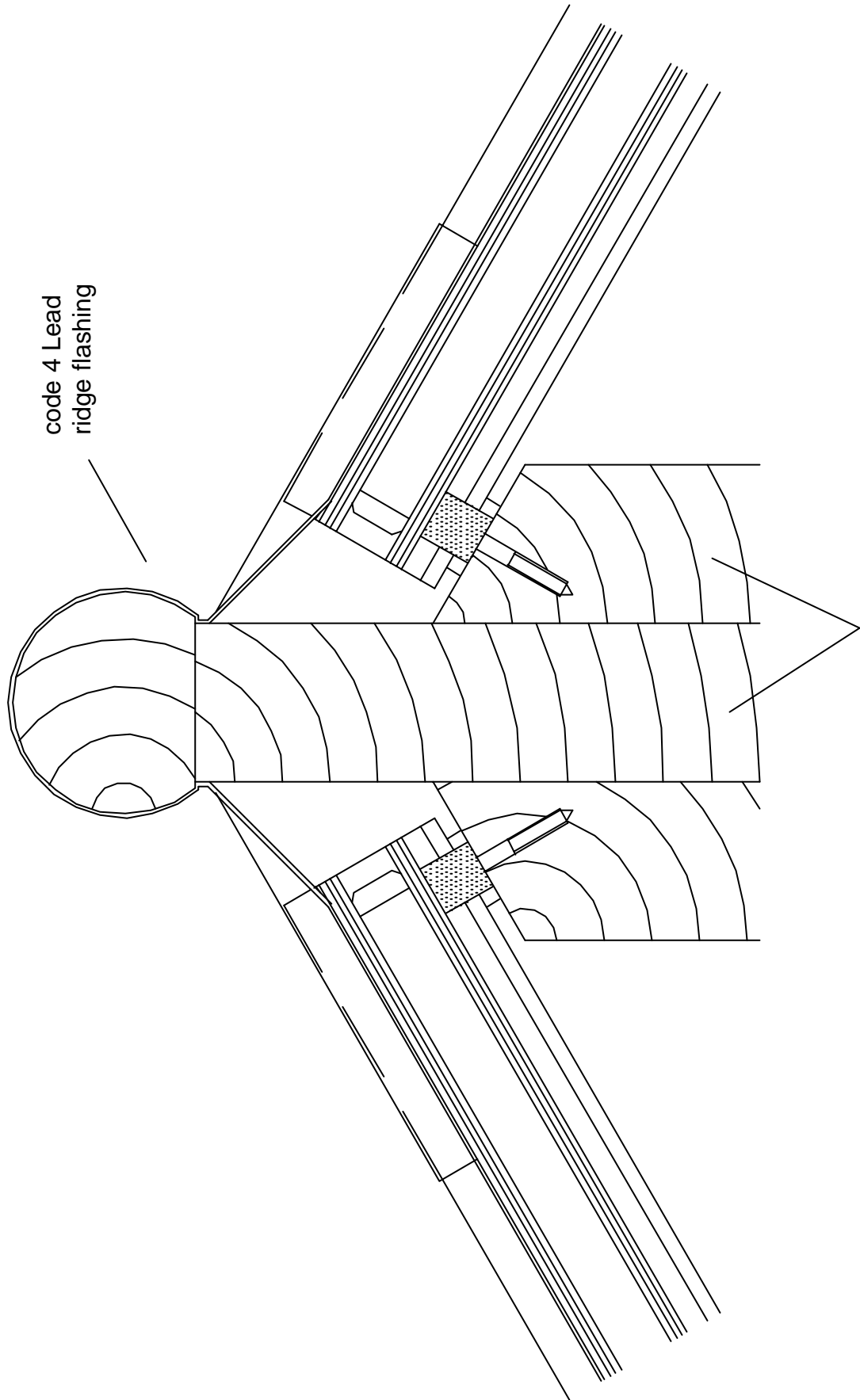
Fax: 01924 458083

PROJECT: Typical details

Head details

SHEET No.

H-2000



code 4 Lead  
ridge flashing

Timber ridge & ridge roll  
not by SPG Co Ltd